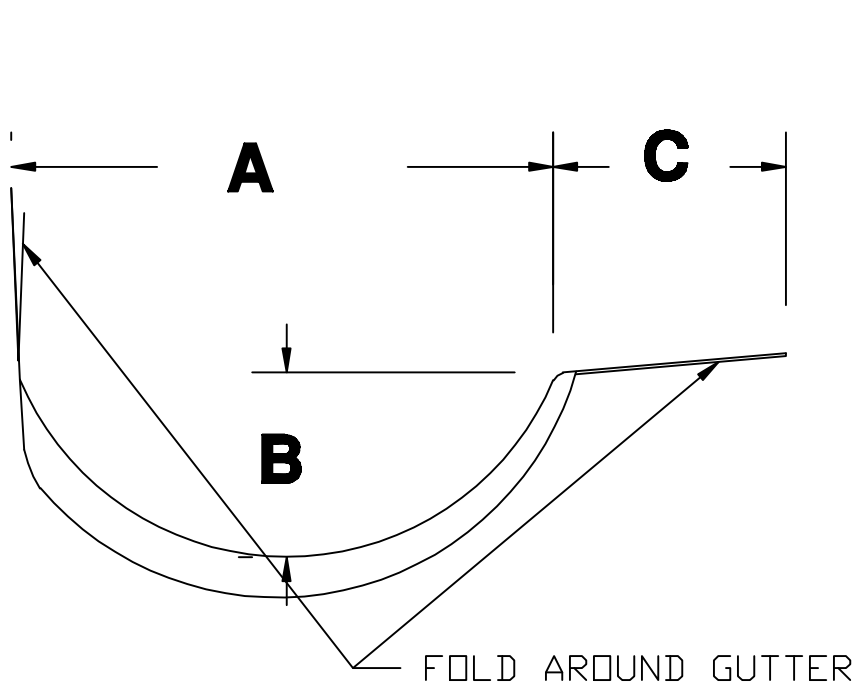


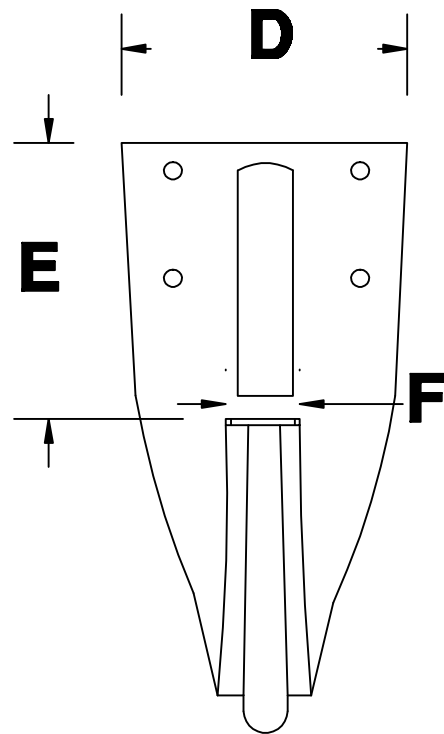
RUTLAND GUTTER SUPPLY LLC

rutlandguttersupply@yahoo.com Ph: 407-859-1119 Fax: 407-859-1123

STAMPED HANGER



SIDE VIEW



FRONT VIEW

| MATERIAL | THICKNESS |
|-------------------------|-----------|
| Copper | .043" |
| Mill finish Galvanized | .043" |
| Powdercoated Galvanized | .053" |

| A | B | C | D | E | F |
|----|---------------------------------|---------------------------------|----|-------|-------|
| 4" | 2" | 2 ³ / ₈ " | 1" | 1/2" | 3/16" |
| 5" | 2 ¹ / ₂ " | 2 ¹ / ₂ " | 1" | 1/2" | 3/16" |
| 6" | 3" | 2 ³ / ₄ " | 1" | 9/16" | 1/4" |
| 7" | 3 ¹ / ₂ " | 2 ⁵ / ₈ " | 1" | 5/8" | 1/4" |
| 8" | 4" | 3" | 1" | 5/8" | 1/4" |

| | |
|---------------------|------------------|
| Company: | Item: |
| Invoice: | Material: |
| PO#: | Notes: |
| Architect: | |
| Contractor: | |
| Date: | |
| Approved by: | |
| Signature: | |

CUSTOM ORDERS CAN NOT BE RETURNED