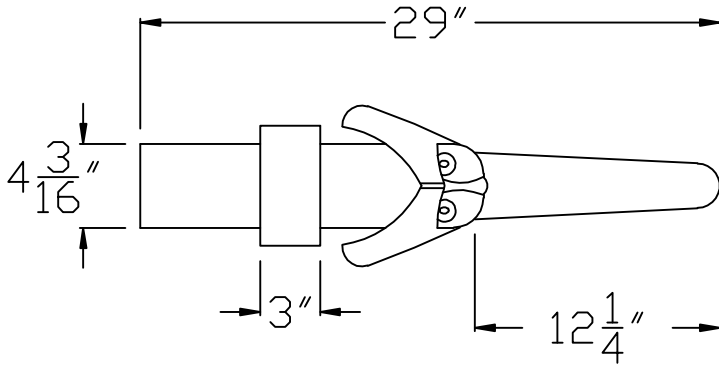


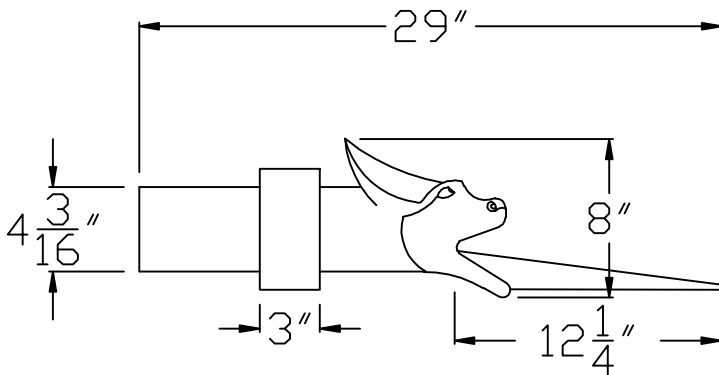
RUTLAND GUTTER SUPPLY LLC

rutlandguttersupply@yahoo.com Ph: 407-859-1119 Fax: 407-859-1123

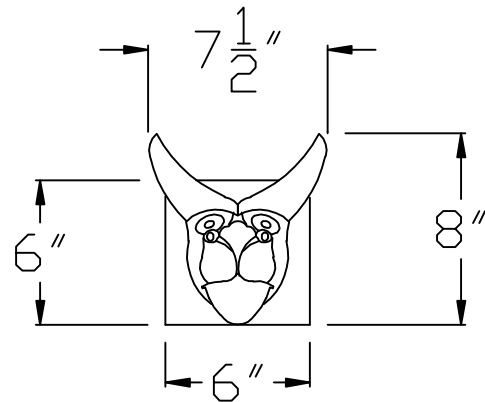
GARGOYLE RAIN SPOUT



PLAN VIEW



SIDE VIEW



FRONT VIEW

Company:

Item: GARGOYLE RAIN SPOUT

Invoice:

Material: COPPER

PO#:

Notes:

Architect:

Contractor:

Date:

Approved by:

Signature:

CUSTOM ORDERS CAN NOT BE RETURNED