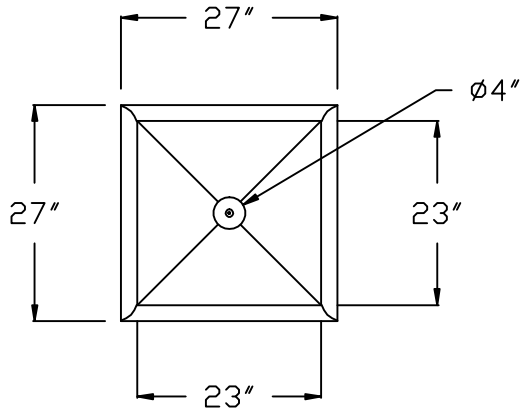


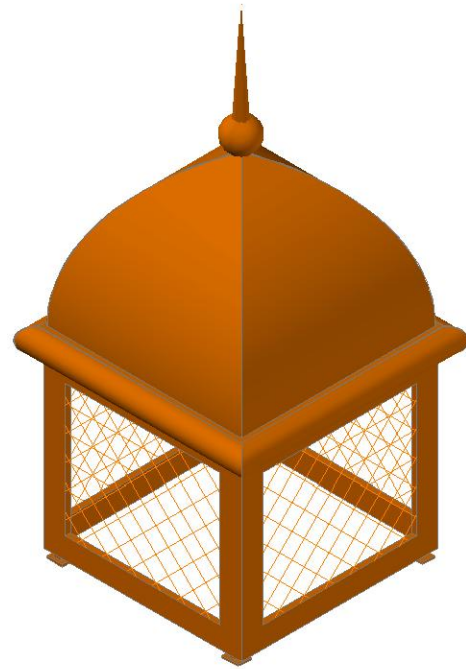
# RUTLAND GUTTER SUPPLY LLC

rutlandguttersupply@yahoo.com Ph: 407-859-1119 Fax: 407-859-1123

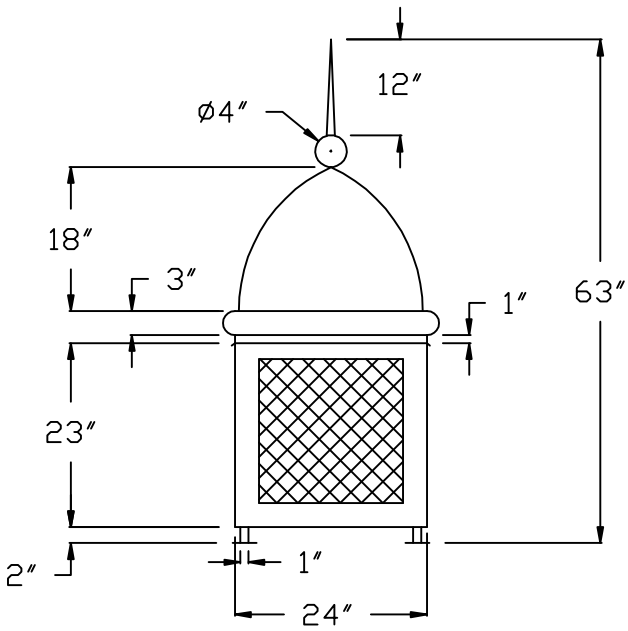
## CC024



**PLAN VIEW**



**ISO VIEW**



**SIDE VIEW**

**Company:**

**Item: CC024**

**Invoice:**

**Material:**

**PO#:**

**Notes:**

**Architect:**

**Contractor:**

**Date:**

**Approved by:**

**Signature:**

**CUSTOM ORDERS CAN NOT BE RETURNED**