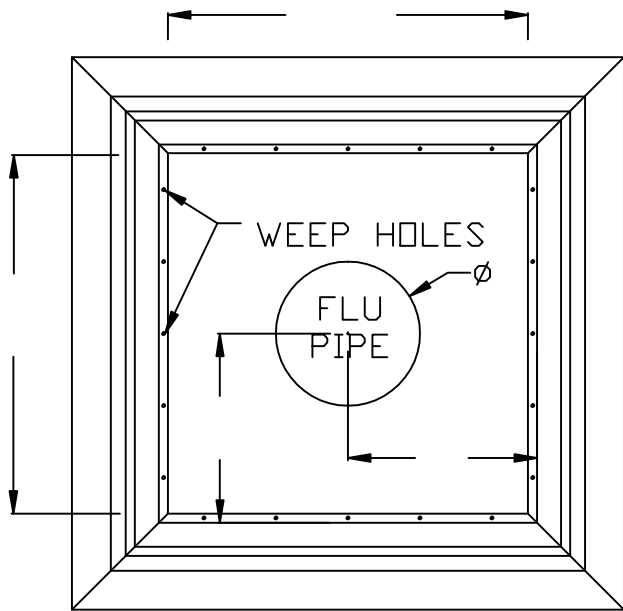


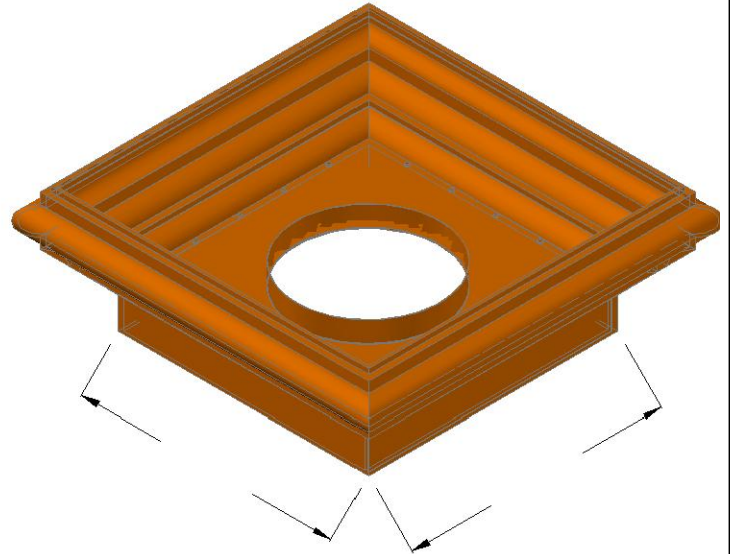
RUTLAND GUTTER SUPPLY LLC

rutlandguttersupply@yahoo.com Ph: 407-859-1119 Fax: 407-859-1123

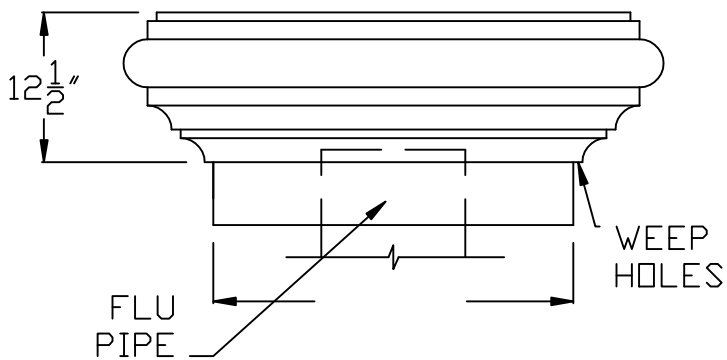
CC0014 ORDER FORM



PLAN VIEW



ISO VIEW



SIDE VIEW

*** PLEASE FILL IN MISSING DIMENSIONS***

| | |
|---------------------|-------------------------------|
| Company: | Item: CHIMNEY CAP 0014 |
| Invoice: | Material: |
| PO#: | Notes: |
| Architect: | |
| Contractor: | |
| Date: | |
| Approved by: | |
| Signature: | |

CUSTOM ORDERS CAN NOT BE RETURNED