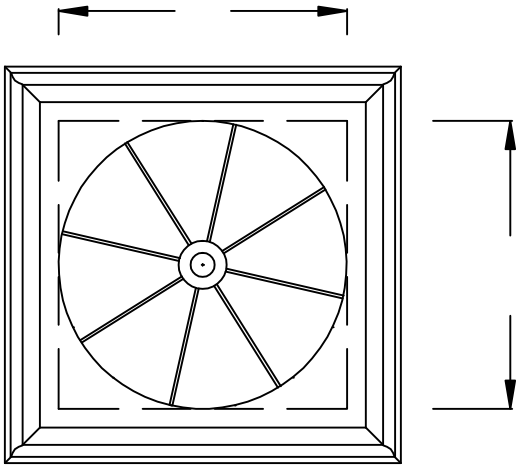


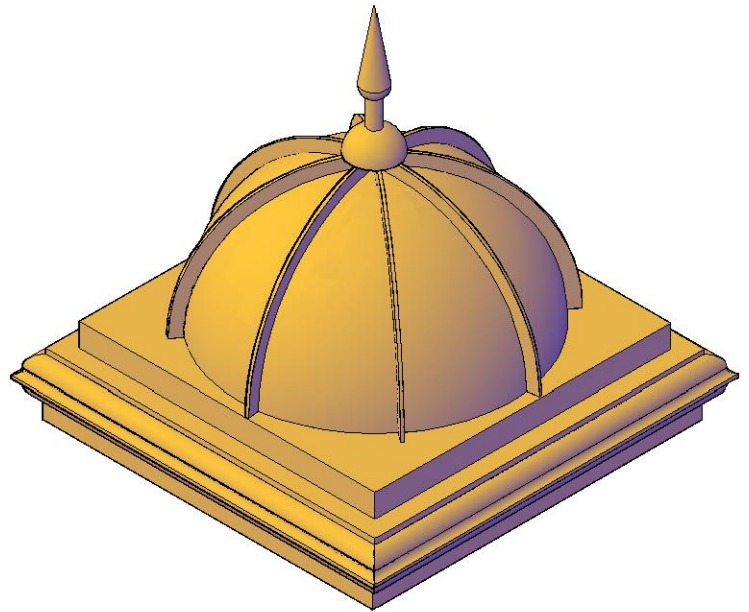
RUTLAND GUTTER SUPPLY LLC

rutlandguttersupply@yahoo.com Ph: 407-859-1119 Fax: 407-859-1123

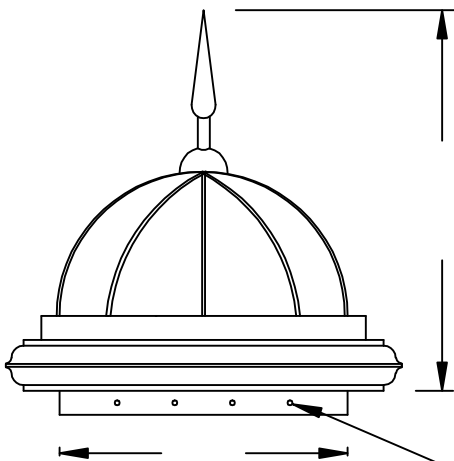
CC010 ORDER FORM



PLAN VIEW



ISO VIEW



HOLES FOR
MOUNTING

SIDE VIEW

*** PLEASE FILL
IN MISSING
DIMENSIONS***

Company:	Item: CHIMNEY CAP 010
Invoice:	Material:
PO#:	Notes:
Architect:	
Contractor:	
Date:	
Approved by:	
Signature:	

CUSTOM ORDERS CAN NOT BE RETURNED