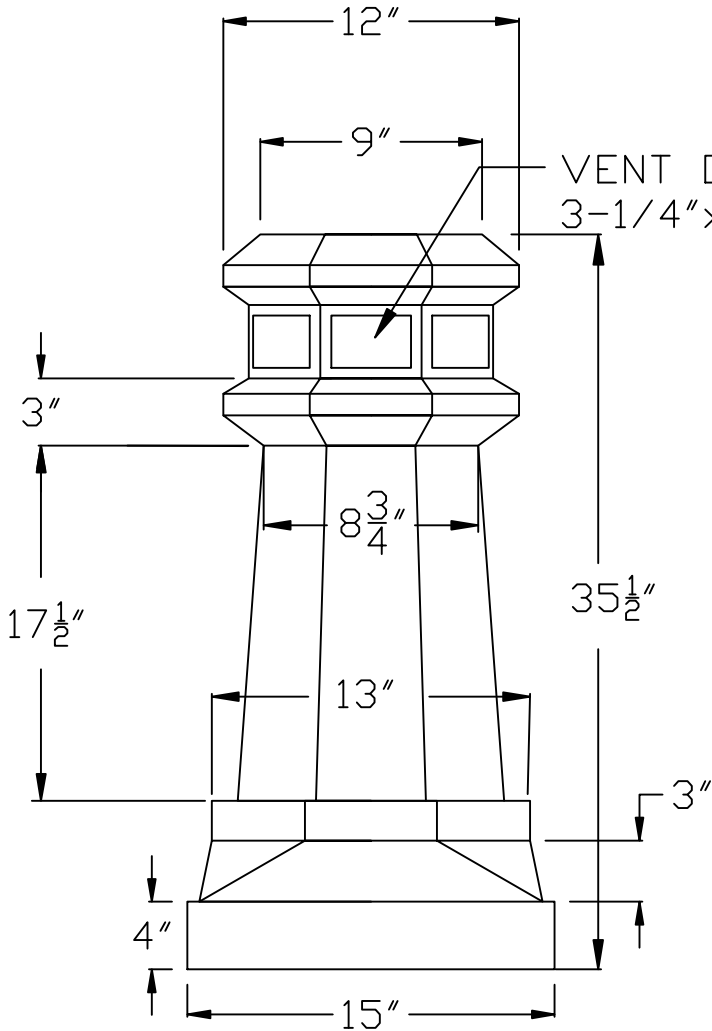


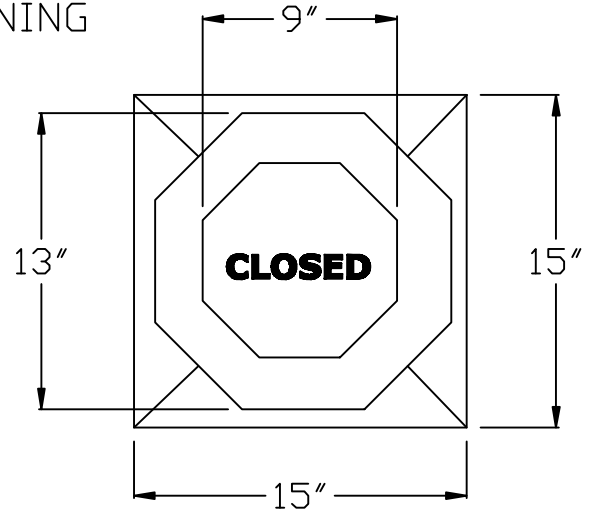
Rutland Gutter Supply Inc

rutlandguttersupply@yahoo.com Ph: 407-859-1119 Fax: 407-859-1123

CC018



FRONT VIEW



PLAN VIEW

Company:	Item: CC018
Invoice:	Material: COPPER
PO#:	Notes:
Architect:	
Contractor:	
Date:	
Approved by:	
Signature:	

CUSTOM ORDERS CAN NOT BE RETURNED