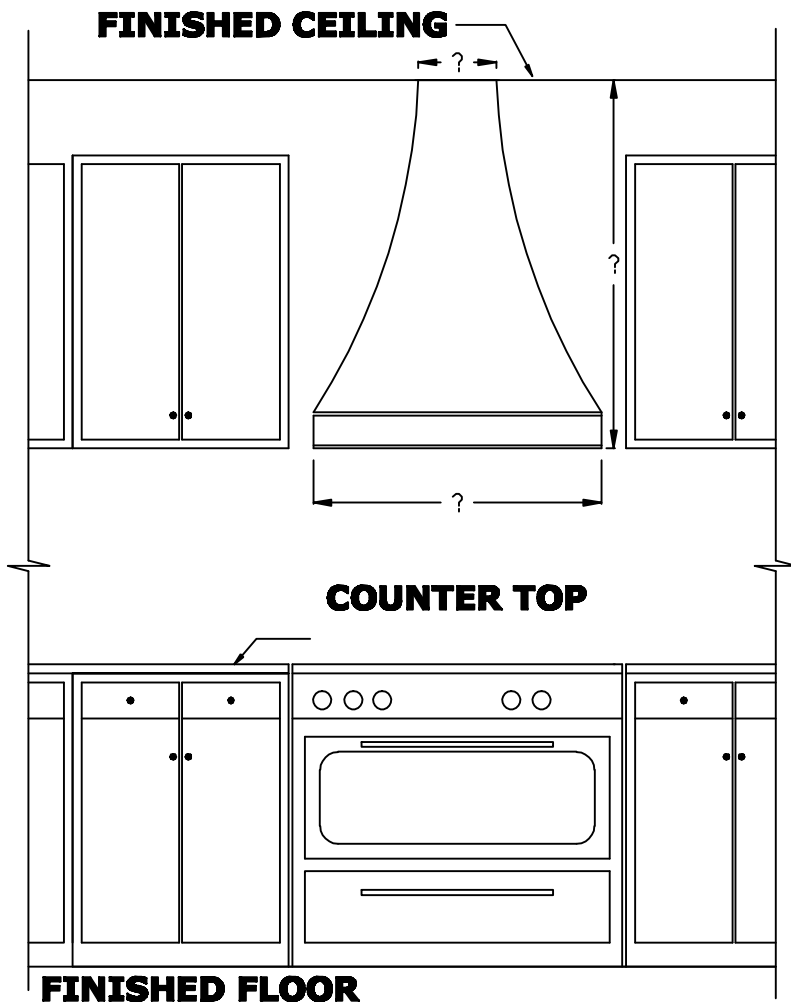


RUTLAND GUTTER SUPPLY LLC

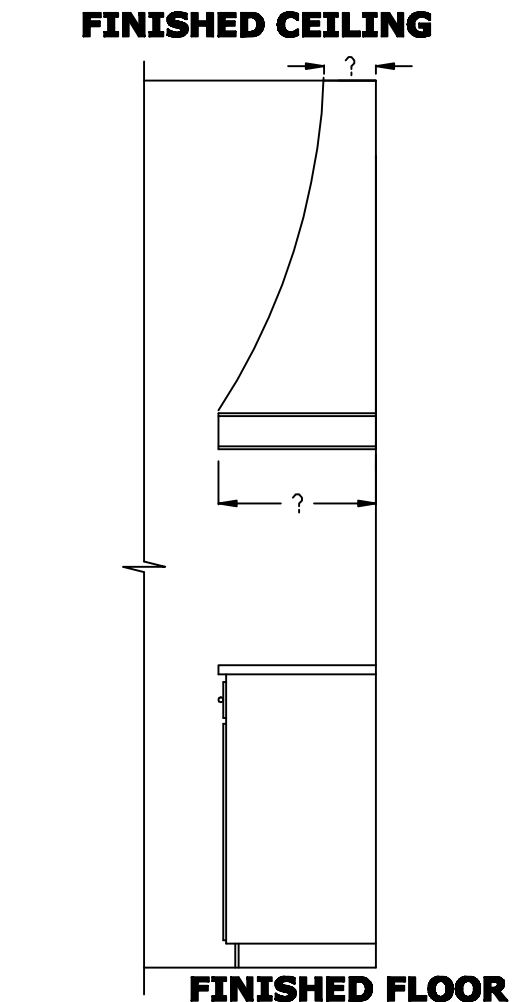
rutlandguttersupply@yahoo.com Ph: 407-859-1119 Fax: 407-859-1123

WALL MOUNTED HOOD

*****PLEASE SPECIFY TYPE HOOD THEN FILL IN MISSING DIMENSIONS, SIGN AND FAX BACK*****



FRONT ELEVATION



SIDE ELEVATION

****HOOD SHOWN FOR ILLUSTRATION****

Company:	Item:
Invoice:	Material:
PO#:	Notes:
Architect:	
Contractor:	
Date:	
Approved by:	
Signature:	

CUSTOM ORDERS CAN NOT BE RETURNED