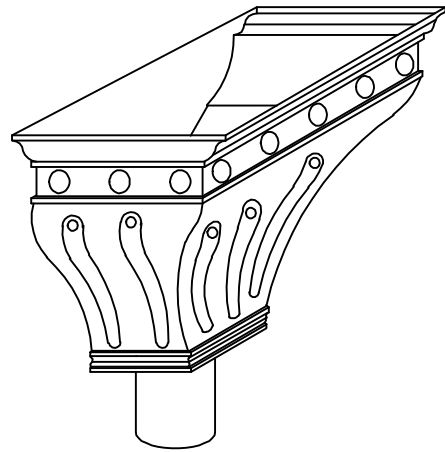
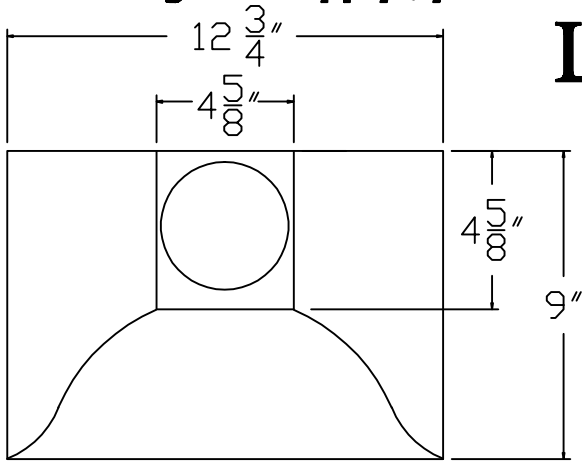


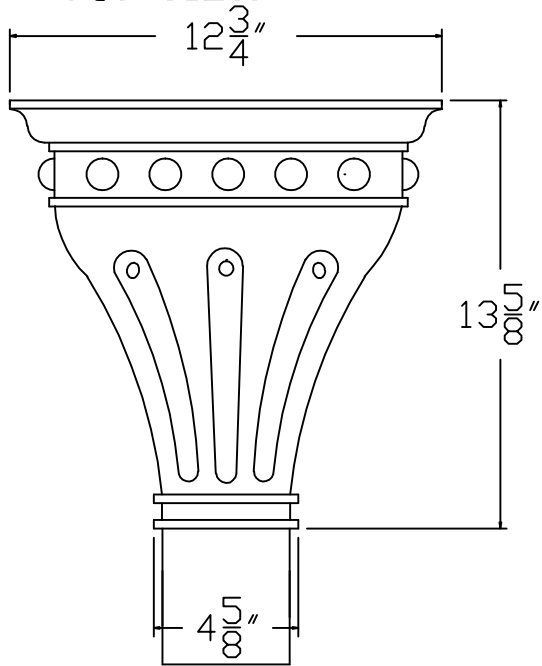
RUTLAND GUTTER SUPPLY LLC

rutlandguttersupply@yahoo.com Ph: 407-859-1119 Fax: 407-859-1123

LH 067

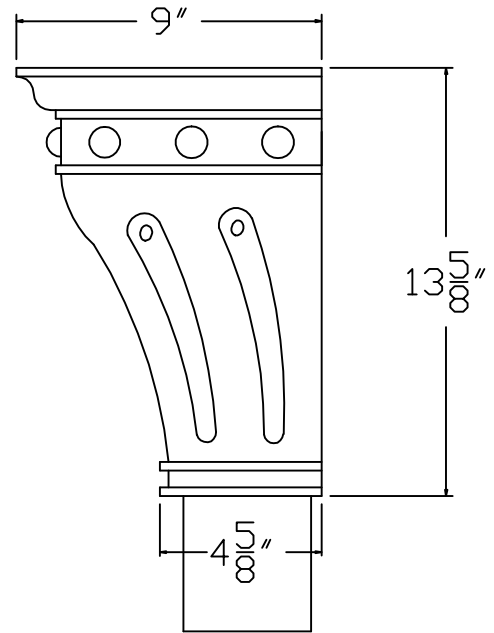


TOP VIEW



FRONT VIEW

ISO VIEW



SIDE VIEW

Company:	Item: LH067
Invoice:	Material: COPPER
PO#:	Notes:
Architect:	
Contractor:	
Date:	
Approved by:	
Signature:	

CUSTOM ORDERS CAN NOT BE RETURNED