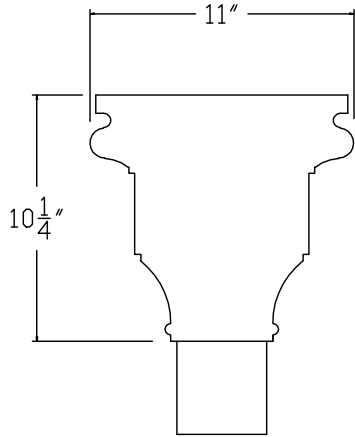


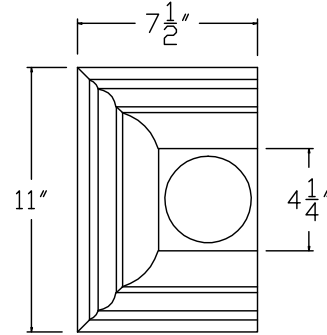
Rutland Gutter Supply Inc

rutlandguttersupply@yahoo.com Ph: 407-859-1119 Fax: 407-859-1123

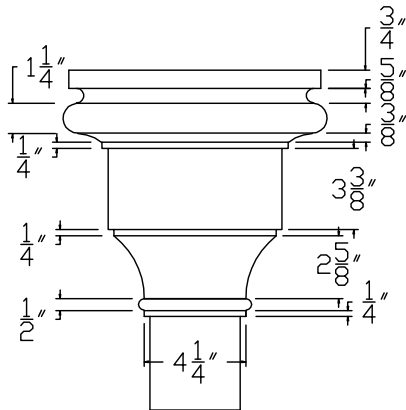
LH021



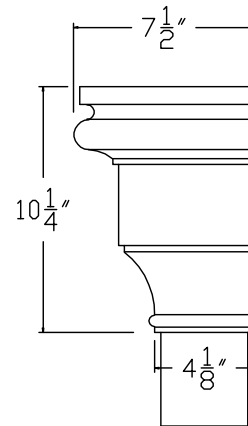
BACK VIEW



TOP VIEW



FRONT VIEW



SIDE VIEW

Company:

Item: LH021

Invoice:

Material:

PO#:

Notes:

Architect:

Contractor:

Date:

Approved by:

Signature:

CUSTOM ORDERS CAN NOT BE RETURNED