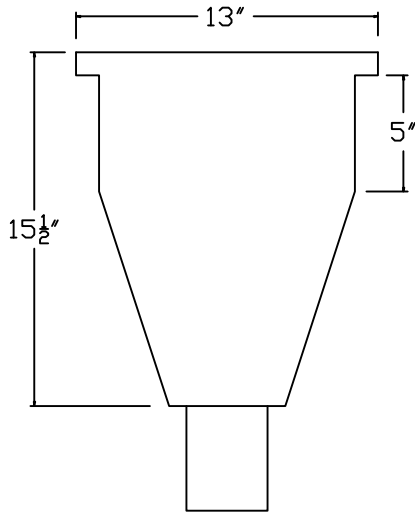


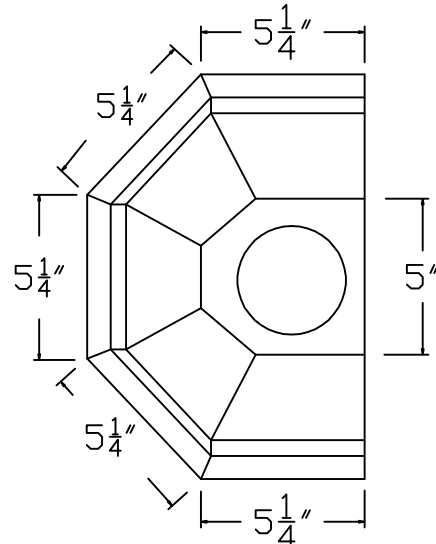
RUTLAND GUTTER SUPPLY LLC

rutlandguttersupply@yahoo.com Ph: 407-859-1119 Fax: 407-859-1123

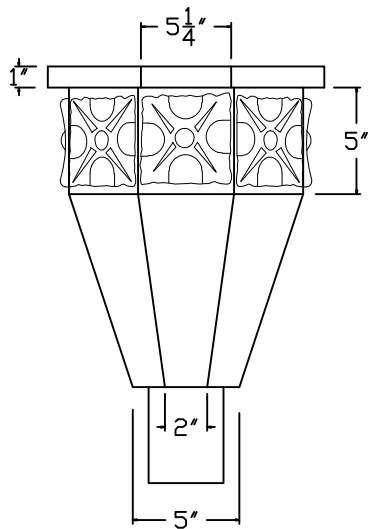
LH004



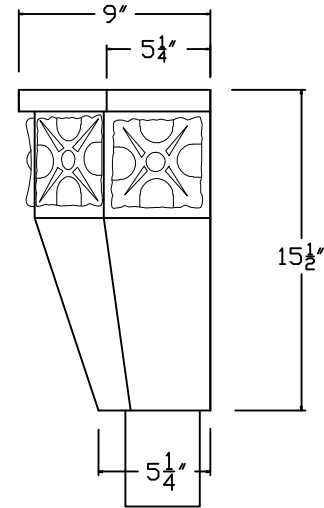
BACK VIEW



TOP VIEW



FRONT VIEW



SIDE VIEW

Company:

Invoice:

PO#:

Architect:

Contractor:

Date:

Approved by:

Signature:

Item:

Material:

Notes:

CUSTOM ORDERS CAN NOT BE RETURNED