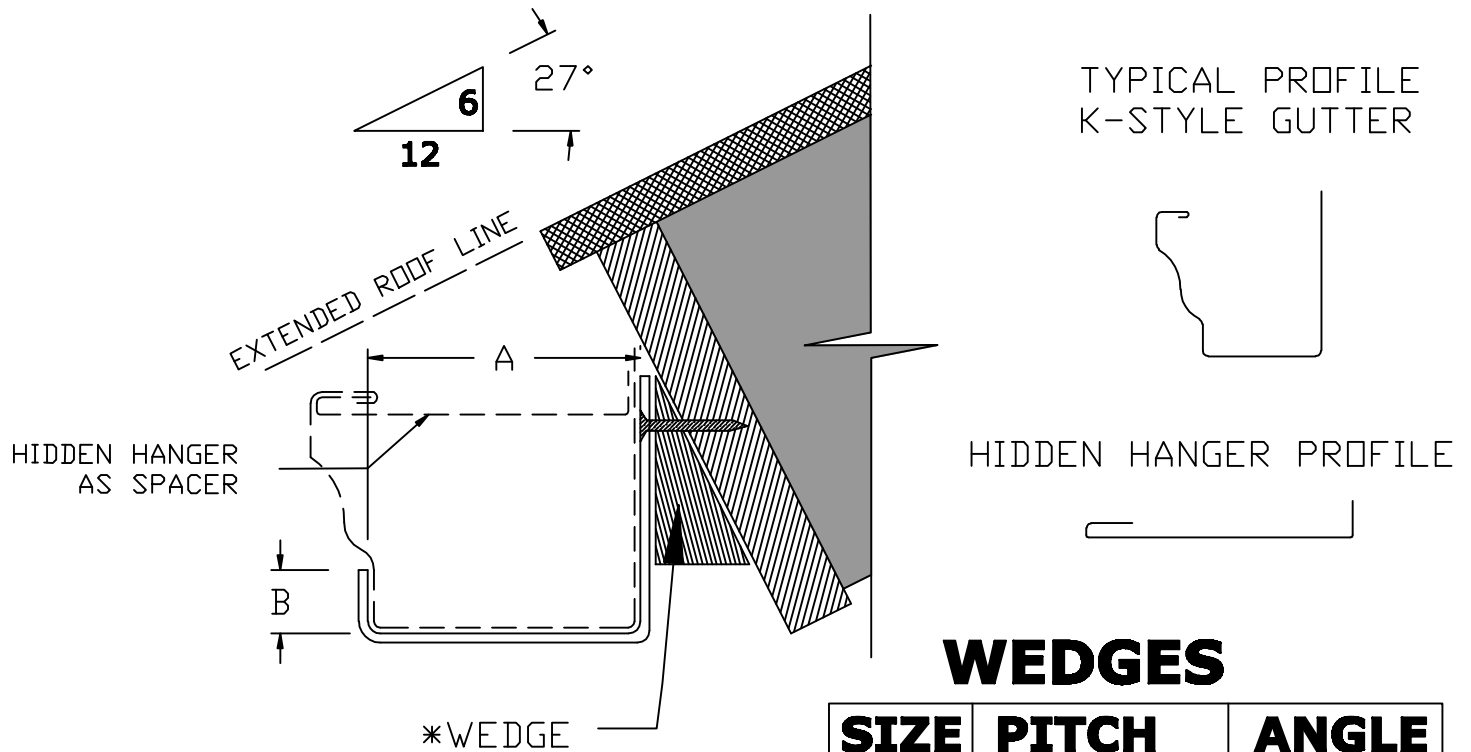


RUTLAND GUTTER SUPPLY LLC

rutlandguttersupply@yahoo.com Ph: 407-859-1119 Fax: 407-859-1123

K-STYLE FASCIA MOUNT HANGER

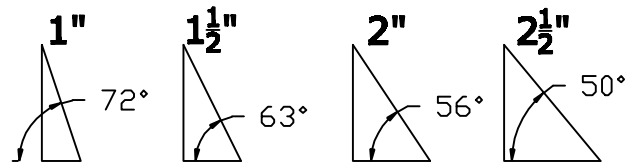


GUTTER SIZE

A	B
5"	$\frac{11}{16}$ "
6"	$\frac{11}{16}$ "
7"	$\frac{11}{16}$ "
8"	$1\frac{1}{4}$ "

WEDGES

SIZE	PITCH	ANGLE
1"	2/12 - 4/12	72°
1 1/2"	5/12 - 6/12	63°
2"	7/12 - 8/12	56°
2 1/2"	9/12 - 12/12	50°



Company:	Item:
Invoice:	Material:
PO#:	Notes:
Architect:	
Contractor:	
Date:	
Approved by:	
Signature:	

CUSTOM ORDERS CAN NOT BE RETURNED