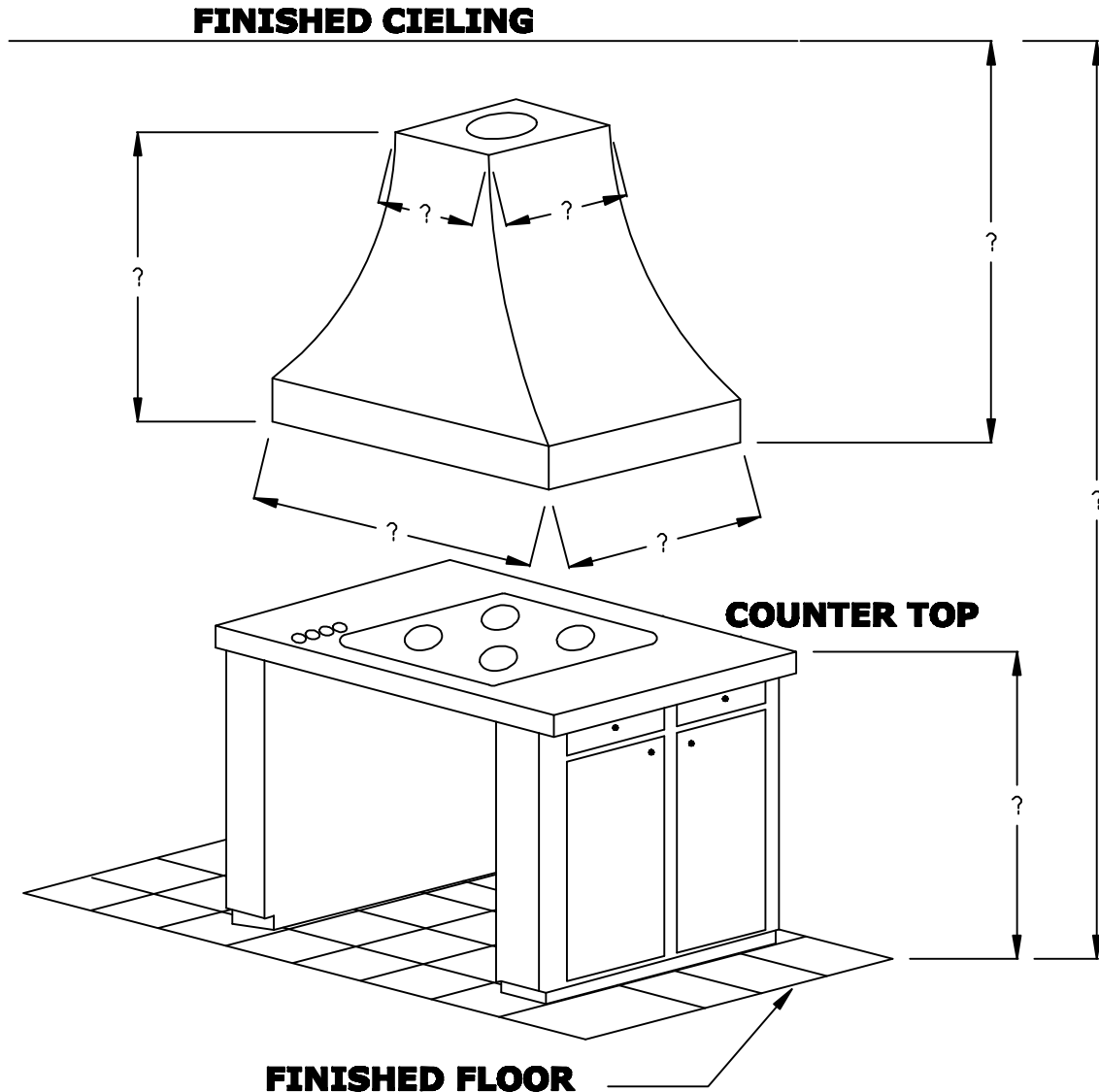


Rutland Gutter Supply Inc

rutlandguttersupply@yahoo.com Ph: 407-859-1119 Fax: 407-859-1123

ISLAND HOOD



Scale: $\frac{3}{8}'' = 1'-0''$

Company:	Item:
Invoice:	Material:
PO#:	Notes:
Architect:	
Contractor:	
Date:	
Approved by:	
Signature:	

CUSTOM ORDERS CAN NOT BE RETURNED