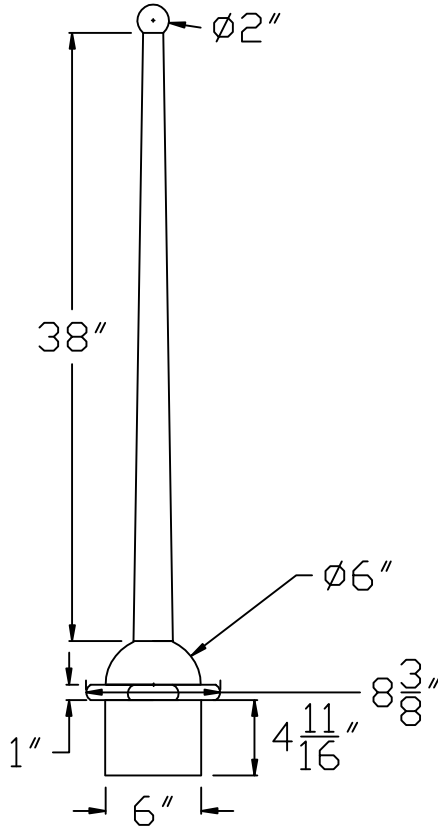


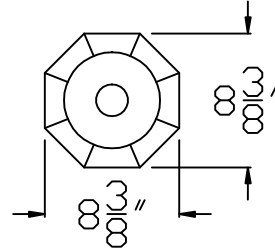
RUTLAND GUTTER SUPPLY LLC

rutlandguttersupply@yahoo.com Ph: 407-859-1119 Fax: 407-859-1123

FL019

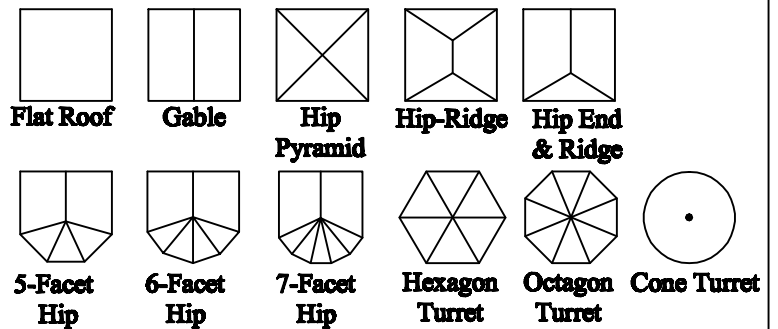


SIDE VIEW



TOP VIEW

SELECT ROOF SHAPE



Scale: 1" = 1'-0"

Company:	Item: FL019
Invoice:	Material:
PO#:	Notes:
Architect:	
Contractor:	
Date:	
Approved by:	
Signature:	

CUSTOM ORDERS CAN NOT BE RETURNED