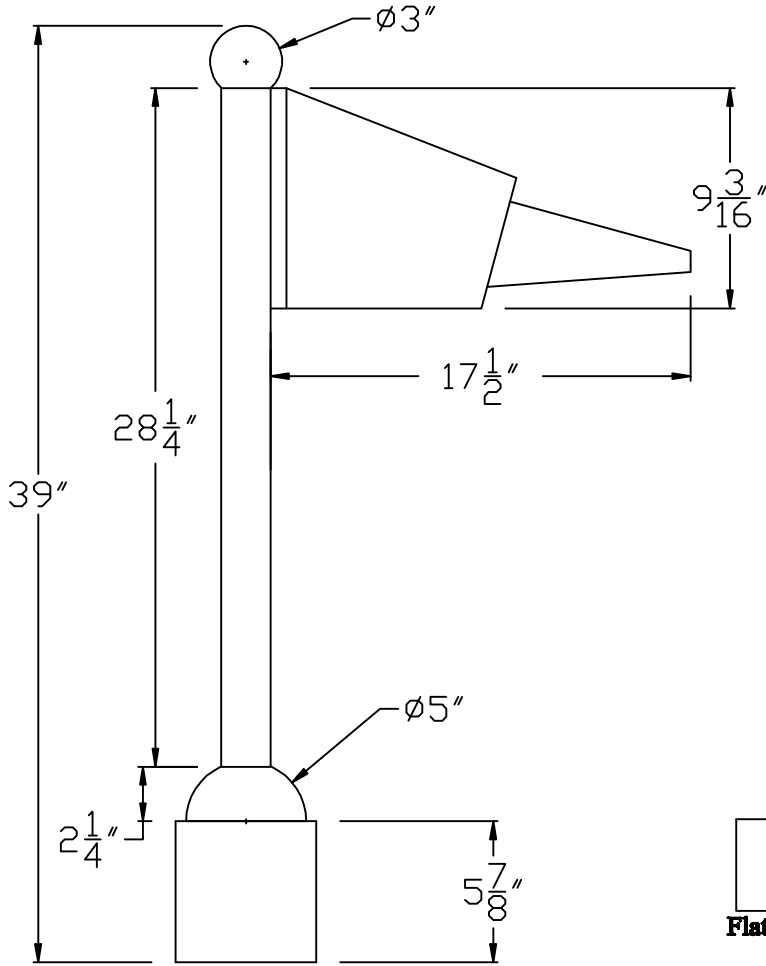


RUTLAND GUTTER SUPPLY LLC

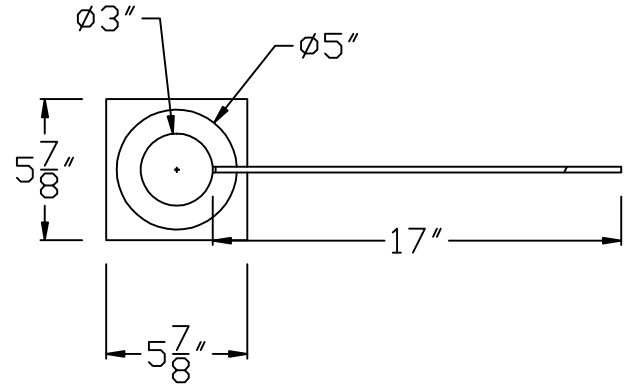
rutlandguttersupply@yahoo.com Ph: 407-859-1119 Fax: 407-859-1123

FL014



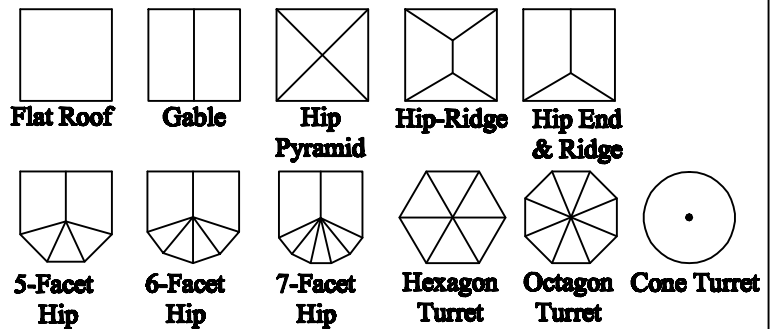
FRONT VIEW

Scale: 1 1/2" = 1'-0"



TOP VIEW

SELECT ROOF SHAPE



Company:	Item: FL014
Invoice:	Material:
PO#:	Notes:
Architect:	
Contractor:	
Date:	
Approved by:	
Signature:	

CUSTOM ORDERS CAN NOT BE RETURNED