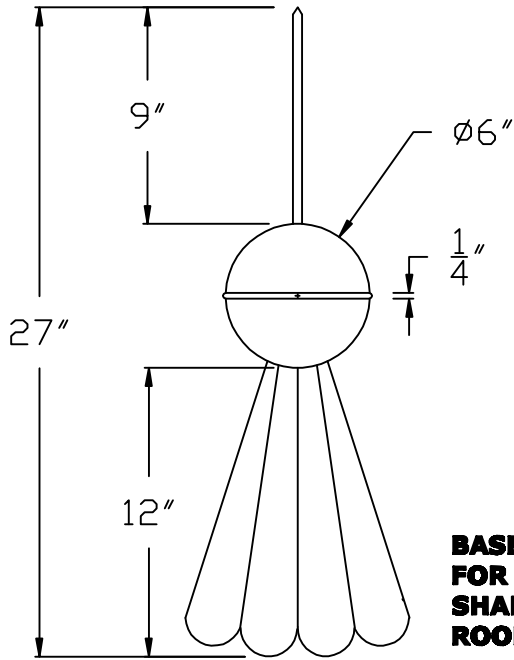


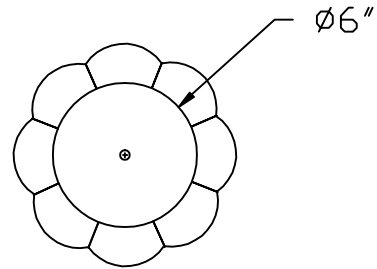
# RUTLAND GUTTER SUPPLY LLC

rutlandguttersupply@yahoo.com Ph: 407-859-1119 Fax: 407-859-1123

## FL003



**FRONT VIEW**



**PLAN VIEW**

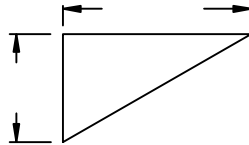
**BASE SHOWN FOR REFERENCE ONLY SIZE AND SHAPE WILL VARY DEPENDING ON ROOF SHAPE AND PITCH**

### SPECIFY ROOF PITCH

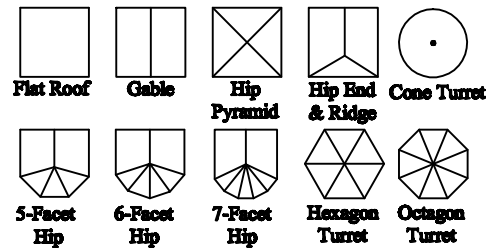
To determine roof pitch:  
Use a straight edge atleast 12" long,  
Put corner on roof, holding vertically  
level.

At the 12" point, measure down. This  
is your roof pitch.

EXAMPLE:  $\frac{7}{12}$



### SELECT ROOF SHAPE



<b>Company:</b>	<b>Item: FL003</b>
<b>Invoice:</b>	<b>Material:</b>
<b>PO#:</b>	<b>Notes:</b>
<b>Architect:</b>	
<b>Contractor:</b>	
<b>Date:</b>	
<b>Approved by:</b>	
<b>Signature:</b>	

**CUSTOM ORDERS CAN NOT BE RETURNED**