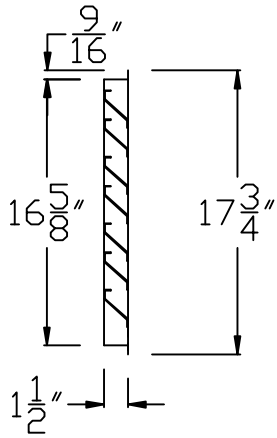


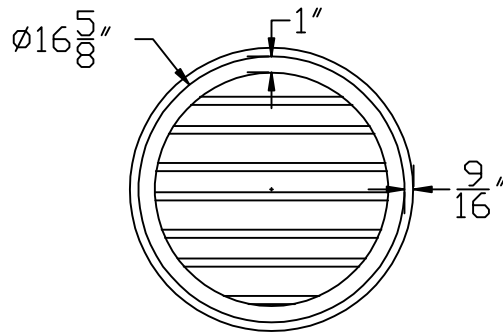
# RUTLAND GUTTER SUPPLY LLC

rutlandguttersupply@yahoo.com Ph: 407-859-1119 Fax: 407-859-1123

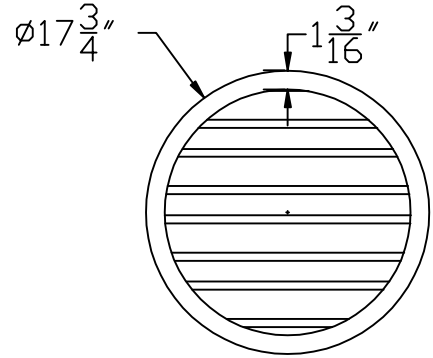
## COPPER ROUND WALL-MOUNTED LOUVER VENT



**SIDE VIEW**



**BACK VIEW**



**FRONT VIEW**

LOUVER Ø	LOUVER DEPTH	TOTAL BLADES	NET FREE AREA
16 <sup>5</sup> / <sub>8</sub> "	1/2"	9	42 <sup>2</sup> "

Scale: 1" = 1'-0"

<b>Company:</b>	<b>Item:</b>
<b>Invoice:</b>	<b>Material:</b>
<b>PO#:</b>	<b>Notes:</b>
<b>Architect:</b>	
<b>Contractor:</b>	
<b>Date:</b>	
<b>Approved by:</b>	
<b>Signature:</b>	

**CUSTOM ORDERS CAN NOT BE RETURNED**